

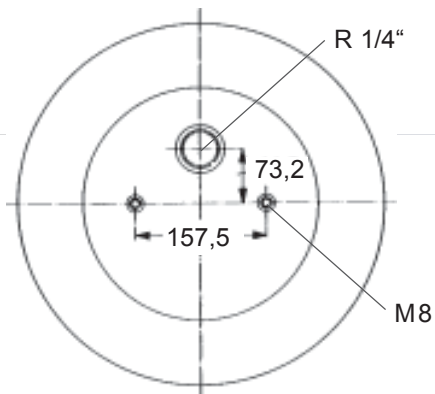
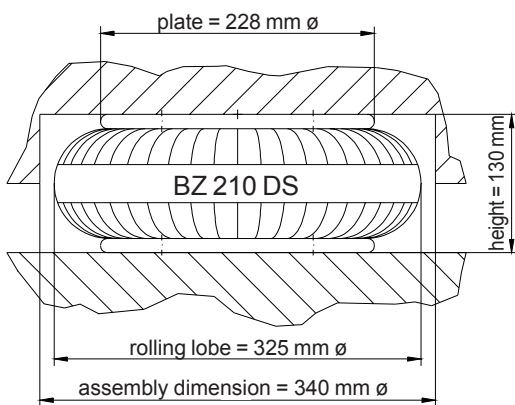
relax and allow us
to take control

Air Spring BZ 210 DS



Technical data

Construction: with integrated buffer
 Minimum/maximum height: 105 mm/ 150 mm
 Weight: 4,5 kg
 Buffer contact: 113 mm



An elastomere belt with vulcanized wire braid reinforcement is fixed and sealed between two steel plates. The elastomere belt shows excellent dynamic properties and good resistance to chemicals (esp. to compressed air containing oil).

Air inlets are integrated into the top plate, blind nuts into the top and bottom plate. The air spring is equipped with an interior limit stop, which keeps the spring from total lowering when depressurized.

Dynamic spring data for vibration isolation at 130 mm operating height and $f_{err} = 1$ Hz.

pressure [bar]	loading capacity [kN]	stiffness [kN/m]	natural frequency [Hz]
2	6,5	183	2,6
4	14,0	329	2,4
6	21,0	458	2,3

Force-way table for single convolution air springs (force in [kN])

height [mm]	1 bar	2 bar	3 bar	4 bar	5 bar	6 bar	7 bar
60	5,0	10,5	16,0	22,0	27,0	32,0	38,0
90	4,5	9,5	14,5	19,0	24,0	29,0	34,0
120	3,5	7,5	11,5	15,0	19,0	23,0	27,0

